

ROCKPORT

COMMERCIAL VEHICLES

CARGOPORT



FOREST RIVER
TRUCK

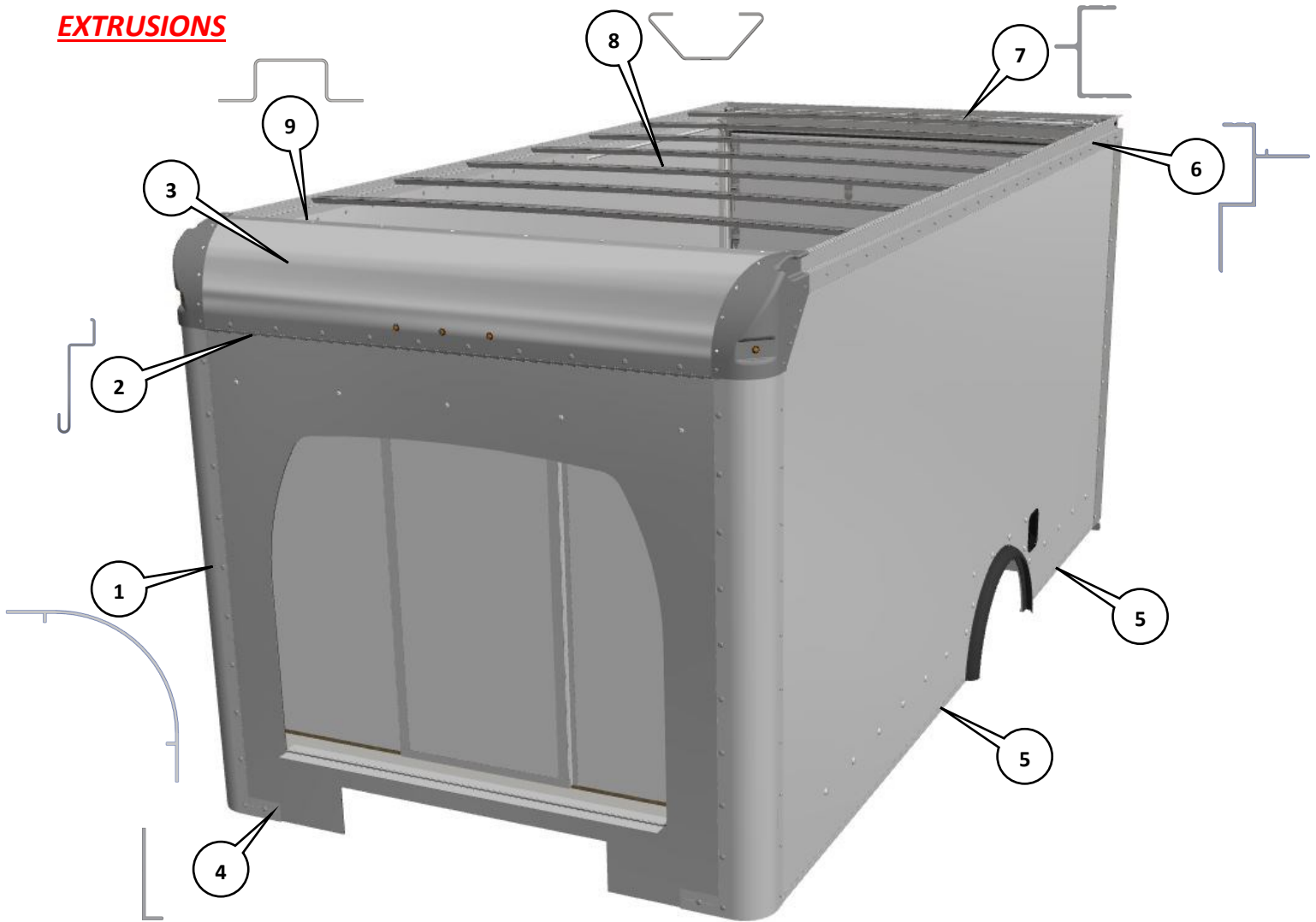
ROCKPORTTRUCKS.COM

CARGOPORT FRP - CUTAWAY

78T x 96W



EXTRUSIONS



ITEM	DESCRIPTION	QTY	PART NUMBER
1	FRONT CORNER POST *	2	7003 ALUMINUM EXTRUSION
2	FRONT RADIUS DRIP RAIL *	1	7012 ALUMINUM EXTRUSION
3	12" FRONT RADIUS *	1	A0200005
4	FRONT WALL CORNER L-ANGLE	2	7006 ALUMINUM EXTRUSION
5	SIDEWALL BOTTOM END CAP	4	7015 ALUMINUM EXTRUSION
6	ROOF TOP RAIL - SIDE	2	7005 ALUMINUM EXTRUSION
7	ROOF TOP RAIL - REAR *	1	7001 ALUMINUM EXTRUSION
8	ROOF BOW *	VIN SPECIFIC	VIN SPECIFIC
9	FRONT ROOF BOW *	1	VIN SPECIFIC

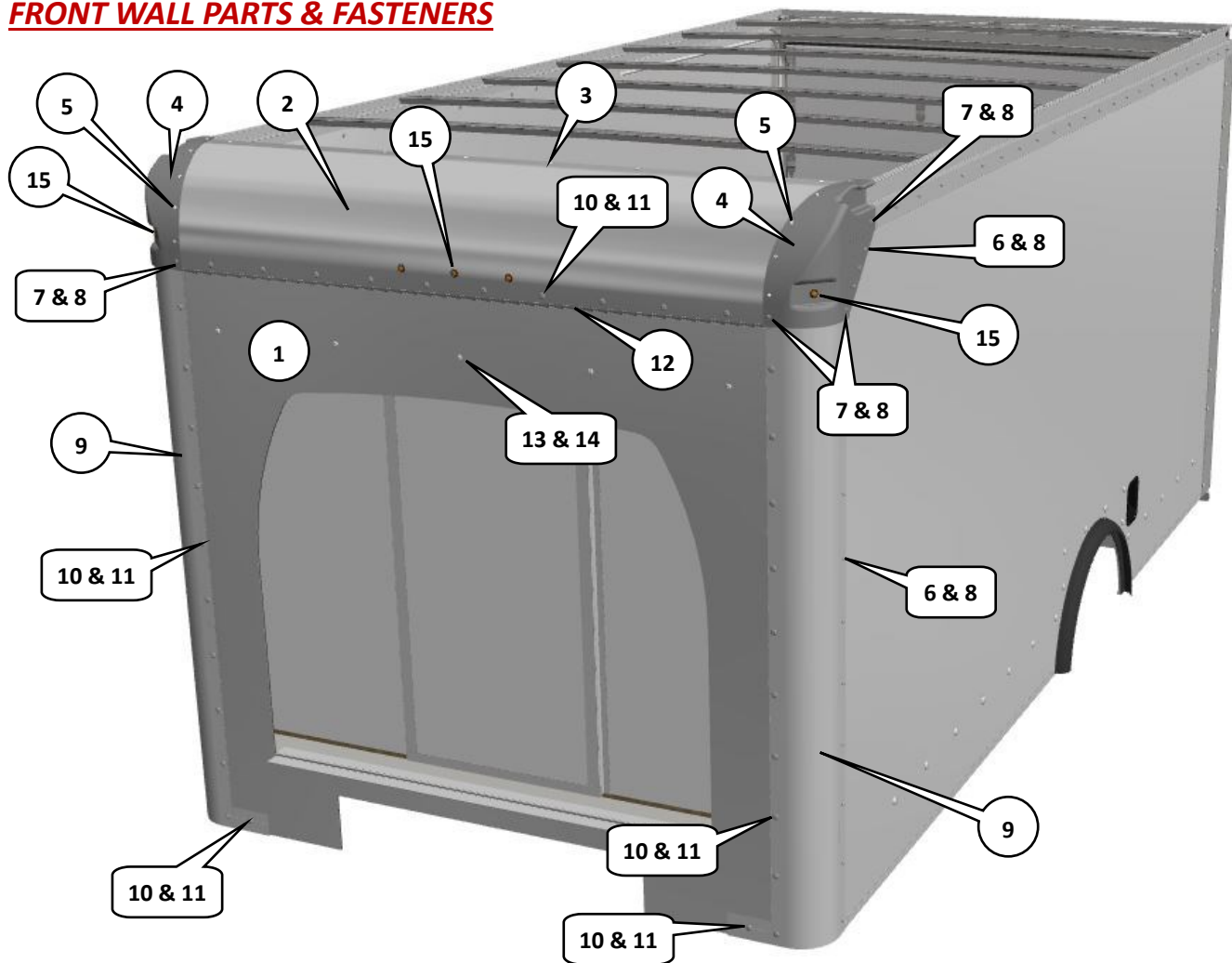
* PART WILL DIFFER DEPENDING ON WIDE BODY & NARROW BODY WIDTH , LENGTH OR HEIGHT

CARGOPORT FRP - CUTAWAY

78T x 96W



FRONT WALL PARTS & FASTENERS



ITEM	DESCRIPTION	QTY	PART NUMBER
1	FRONT WALL PANEL *	1	VIN SPECIFIC
2	FRONT WALL TOP RADIUS *	1	A0200005
3	3/16 POP RIVET ALUM .250 - .500 GRIP RANGE	10	F0200006
4	ROOF CORNER CAP - LEFT & RIGHT *	1 PAIR	P0200017 & 18
5	1/4 x 3/4 MAGNA-LOK	5 PER CAP	F0200059
6	1/4-20 x 1/2 GR5 TORX FRP BOLT W/CAD SEAL	26 *	F0200043
7	1/4-20 x 13/16 BOLT	3 PER CAP	F0200008
8	1/4 -20 STEEL T-NUT	26*	F0200002
9	RADIUS CORNER POST *	2	7003 ALUMINUM EXTRUSION
10	1/4-20 X 5/16 RIBBED T-NUT - GRAY	10	F2100217
11	1/4-20 X 310/330 TRUSS WASHER	10	F2100218
12	FRONT DRIP RAIL *	1	7012 ALUMINUM EXTRUSION
13	1/4-20-X 5/16 RIBBED T-NUT - WHITE - (SET-BACK WALL)	5	F1500183
14	1/4-20 X 310/330 TRUSS WASHER - (SET-BACK WALL)	5	F2100218
15	AMBER CLEARANCE LIGHT & GROMMET	5	S37-AAS9V-1

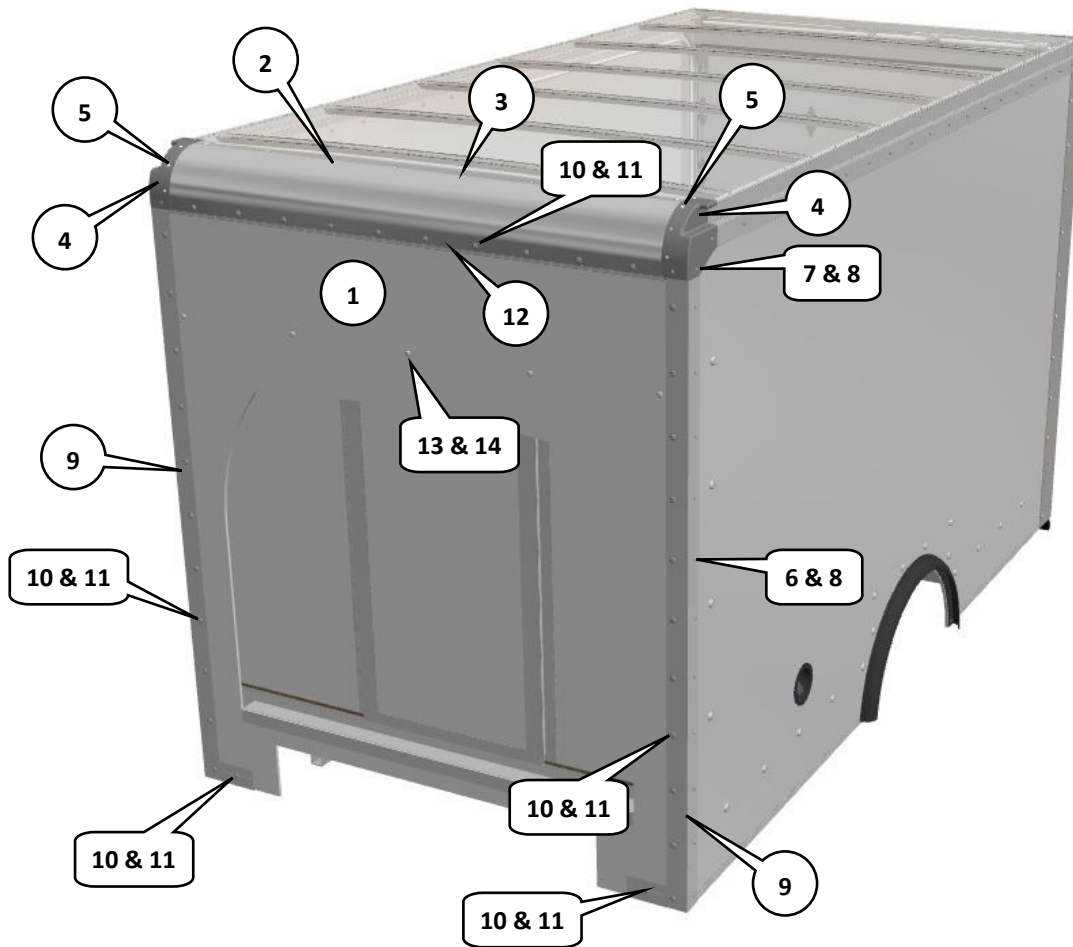
* PART WILL DIFFER DEPENDING ON WIDE BODY & NARROW BODY WIDTH , LENGTH OR HEIGHT

CARGOPORT FRP - CUTAWAY

78T x 80W



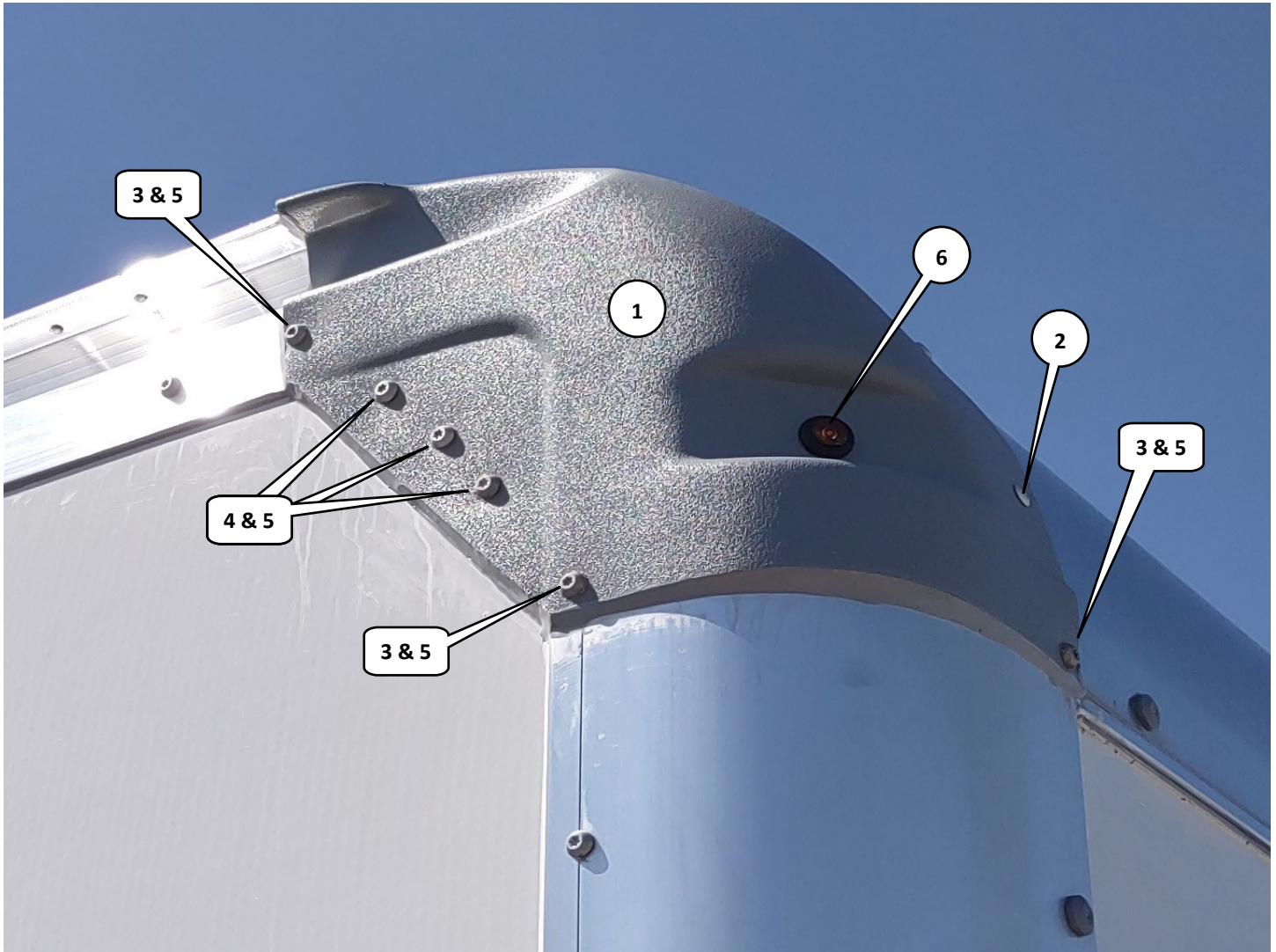
FRONT WALL PARTS & FASTENERS



ITEM	DESCRIPTION	QTY	PART NUMBER
1	FRONT WALL PANEL *	1	VIN SPECIFIC
2	FRONT WALL TOP RADIUS *	1	A0200005
3	3/16 POP RIVET ALUM .250 - .500 GRIP RANGE	8	F0200006
4	ROOF CORNER CAP - LEFT & RIGHT *	1 PAIR	P0200017 & 18
5	1/4 x 3/4 MAGNA-LOK	4 PER CAP	F0200059
6	1/4-20 x 1/2 GR5 TORX FRP BOLT W/CAD SEAL	26 *	F0200043
7	1/4-20 x 13/16 BOLT	3 PER CAP	F0200008
8	1/4 -20 STEEL T-NUT	26*	F0200002
9	RADIUS CORNER POST *	2	7003 ALUMINUM EXTRUSION
10	1/4-20 X 5/16 RIBBED T-NUT - GRAY	34	F2100217
11	1/4-20 X 310/330 TRUSS WASHER	34	F2100218
12	FRONT DRIP RAIL *	1	7012 ALUMINUM EXTRUSION
13	1/4-20-X 5/16 RIBBED T-NUT - WHITE (SET-BACK WALL)	5	F1500183
14	1/4-20 X 310/330 TRUSS WASHER (SET-BACK WALL)	5	F2100218

* PART WILL DIFFER DEPENDING ON WIDE BODY & NARROW BODY WIDTH , LENGTH OR HEIGHT

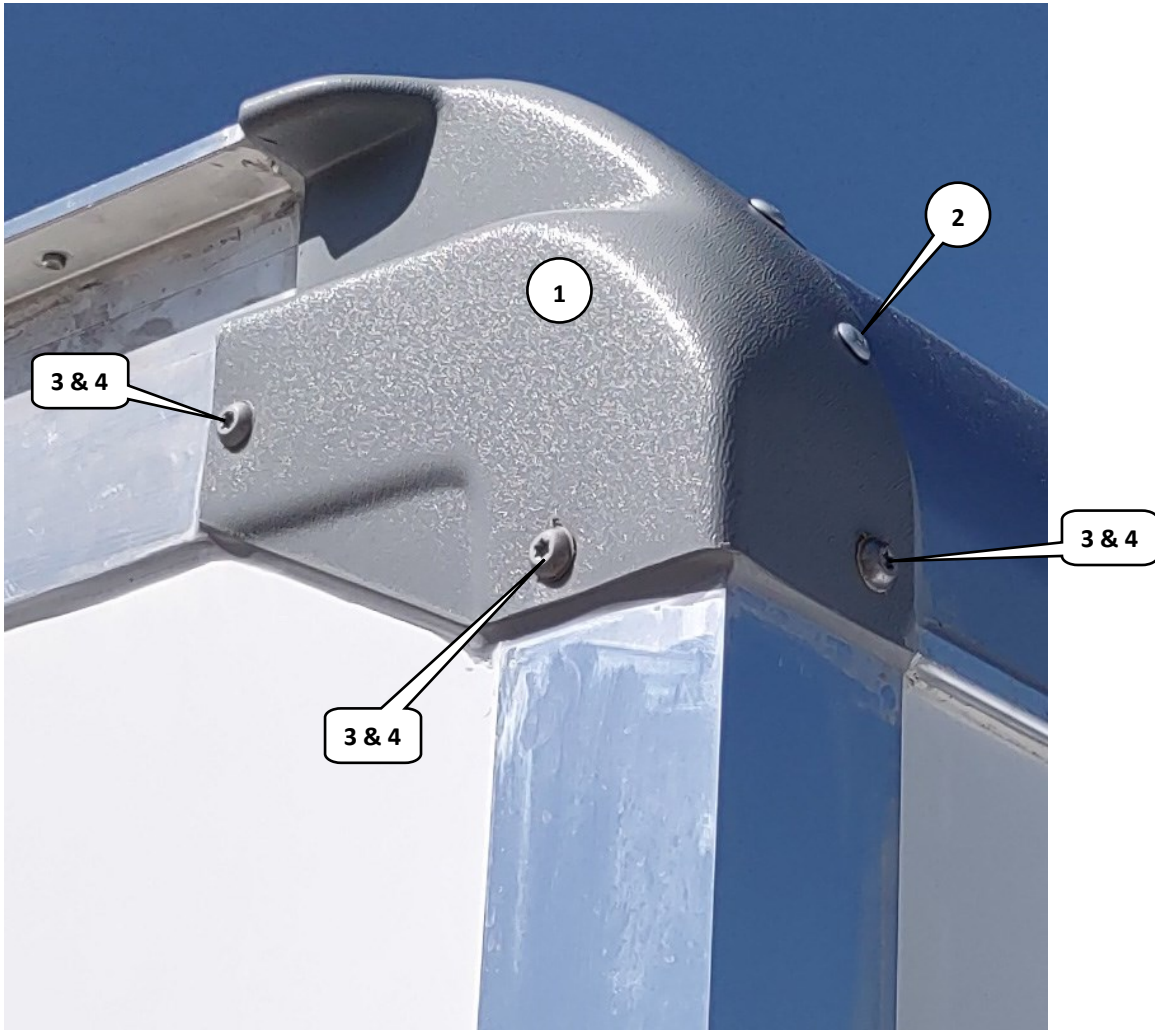
FRONT WALL PARTS & FASTENERS - FRONT CORNER



ITEM	DESCRIPTION	QTY	PART NUMBER
1	ROOF CORNER CAP - LEFT & RIGHT *	1 PAIR	P0200017 & 18
2	1/4 x 3/4 MAGNA-LOK	5 PER CAP	F0200059
3	1/4-20 x 13/16 BOLT	3 PER CAP	F0200008
4	1/4-20 x 1/2 GR5 TORX FRP BOLT W/CAD SEAL	3 PER CAP	F0200043
5	1/4 -20 STEEL T-NUT	6 PER CAP	F0200002
6	AMBER CLEARANCE LIGHT & GROMMET	1 PER CAP	S37-AAS9V-1

* PART WILL DIFFER DEPENDING ON WIDE BODY & NARROW BODY WIDTH , LENGTH OR HEIGHT

FRONT WALL PARTS & FASTENERS - FRONT CORNER



ITEM	DESCRIPTION	QTY	PART NUMBER
1	ROOF CORNER CAP - LEFT & RIGHT *	1 PAIR	P0200037 & 67
2	1/4 x 3/4 MAGNA-LOK	4 PER CAP	F0200059
3	1/4-20 x 13/16 BOLT	3 PER CAP	F0200008
4	1/4 -20 STEEL T-NUT	3 PER CAP	F0200002

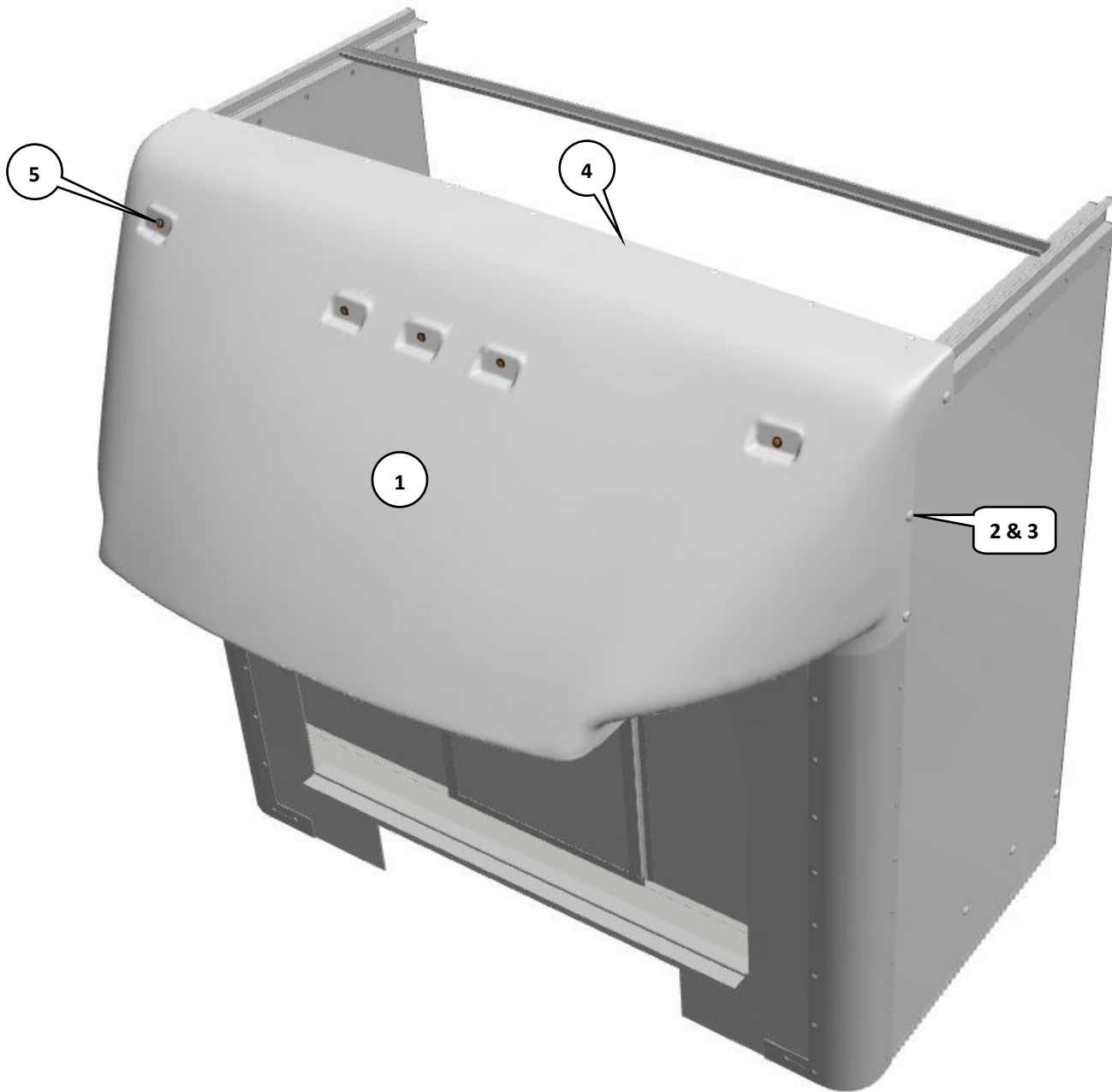
* PART WILL DIFFER DEPENDING ON WIDE BODY & NARROW BODY WIDTH , LENGTH OR HEIGHT

CARGOPORT FRP - CUTAWAY

78T x 96W



ROCKTOP & FASTENERS



ITEM	DESCRIPTION	QTY	PART NUMBER
1	FIBERGLASS ROCKTOP *	1	VIN SPECIFIC
2	5/16-18 x 1/2 WHITE ENCAPSULATED T-NUT	6	F0400109
3	5/16 - 18 X 3/4 STEEL ROUND WASHER 6-LOBE M/S ZINC W/ PRECOTE 80	6	F0200077
4	3/16 POP RIVET ALUM .500 - .781 GRIP RANGE	10	F0200007 - WIDE BODY
5	AMBER CLEARANCE LIGHT & GROMMET	5	S37-AAS9V-1

* PART WILL DIFFER DEPENDING ON WIDE BODY & NARROW BODY WIDTH , LENGTH OR HEIGHT

CARGO PORT FRP - CUTAWAY

78T x 80W



ROCKTOP & FASTENERS



ITEM	DESCRIPTION	QTY	PART NUMBER
1	FIBERGLASS ROCKTOP *	1	VIN SPECIFIC
2	5/16-18 x 1/2 WHITE ENCAPSULATED T-NUT	6	F0400109
3	5/16 - 18 X 3/4 STEEL ROUND WASHER 6-LOBE M/S ZINC W/ PRECOTE 80	6	F0200077
4	3/16 POP RIVET ALUM .876 - 1.000 GRIP RANGE	8	F0200005 - NARROW BODY

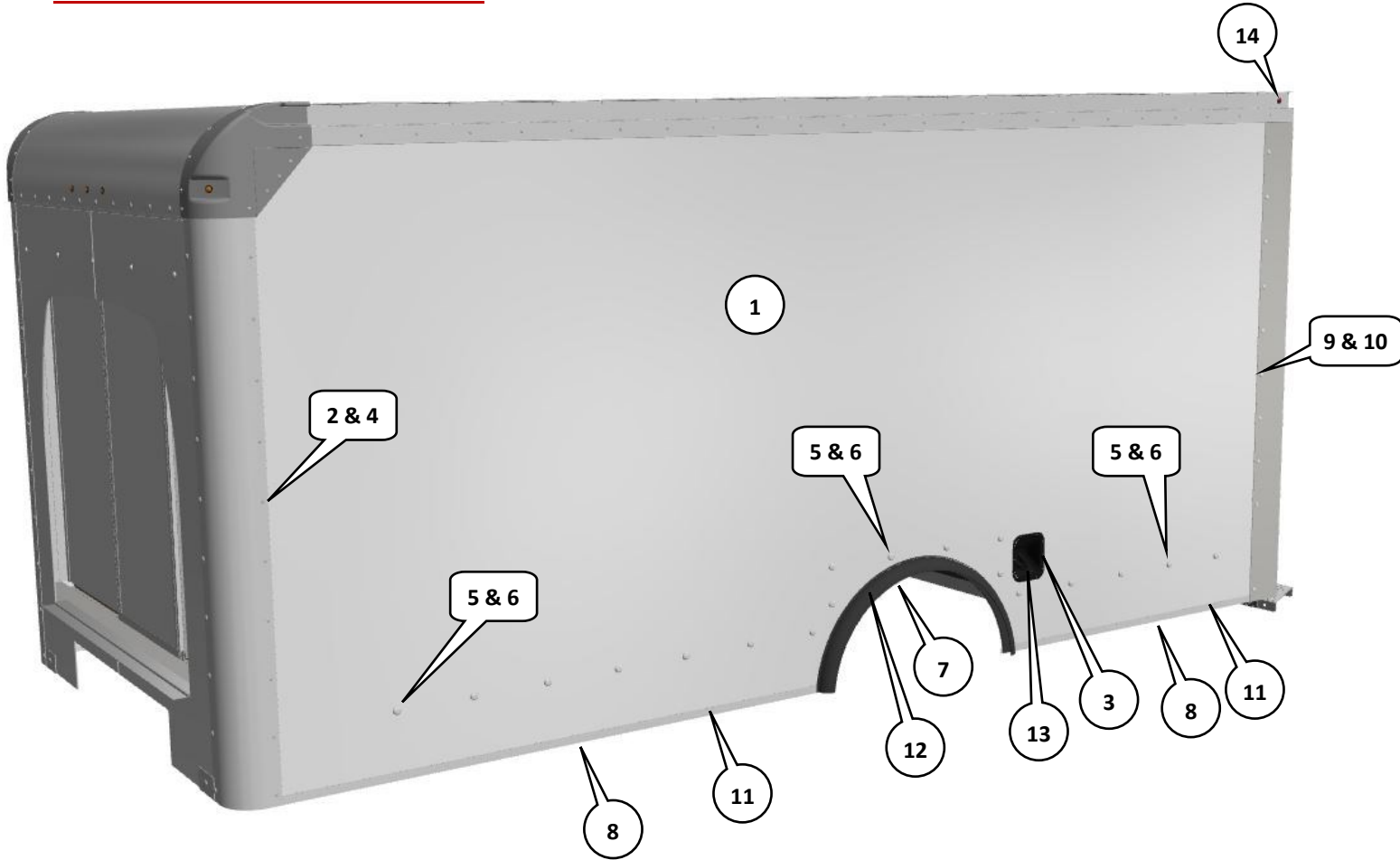
* PART WILL DIFFER DEPENDING ON WIDE BODY & NARROW BODY WIDTH , LENGTH OR HEIGHT

CARGOPORT FRP - CUTAWAY

78T x 96W



SIDEWALL PARTS & FASTENERS



ITEM	DESCRIPTION	QTY	PART NUMBER
1	FRP SIDEWALL SHEET *	VIN SPECIFIC	VIN SPECIFIC
2	1/4 x 20 STEEL BASE TEE NUT ZINC	VIN SPECIFIC	F0200002
3	8-18 x 1 S/S T.410 PAN PHIL 2PT DRILL SCREW W/ BI-WAX	VIN SPECIFIC	F0200035
4	1/4-20 x 1/2 GR5 TORX FRP BOLT W/CAD SEAL	VIN SPECIFIC	F0200043
5	5/16 -18 x 1/2 STEEL ROUND WASHER 6-LOBE M/S ZINC W/ PRECOTE 80	VIN SPECIFIC	F0200046
6	5/16-18 x 1/2 WHITE ENCAPSULATED T-NUT W/ BARBS/RIDGES BARREL	VIN SPECIFIC	F0200047
7	#8 x 3/4 STEEL RECEX PAN HEAD T/A BLACK OXIDE	12 EA SIDE	F0200048
8	#8 x 3/4 STEEL MODIFIED TRUSS #2 POINT SELF DRILLING PHIL BLACK ZINC	VIN SPECIFIC	F0200076
9	1/4-20 x 1/2 TX6L T30 TRUSS WASH SHLDR MS LP PP ZINC	VIN SPECIFIC	F1000152
10	1/4-20 x 5/16 GR 5.1 RIBBED T-NUT ENCAPSULATED WHITE	VIN SPECIFIC	F1500183
11	SIDEWALL BOTTOM END CAP	4	7015 ALUMINUM EXTRUSION
12	WHEEL WELL RUBBER TRIM	1 EA SIDE	F100504900 GSX 178 BLK
13	FUEL FILL DISH	1	VIN SPECIFIC
14	RED CLEARANCE LIGHT & GROMMET	1 EA - IN CORNER	S37-RRS9V-1

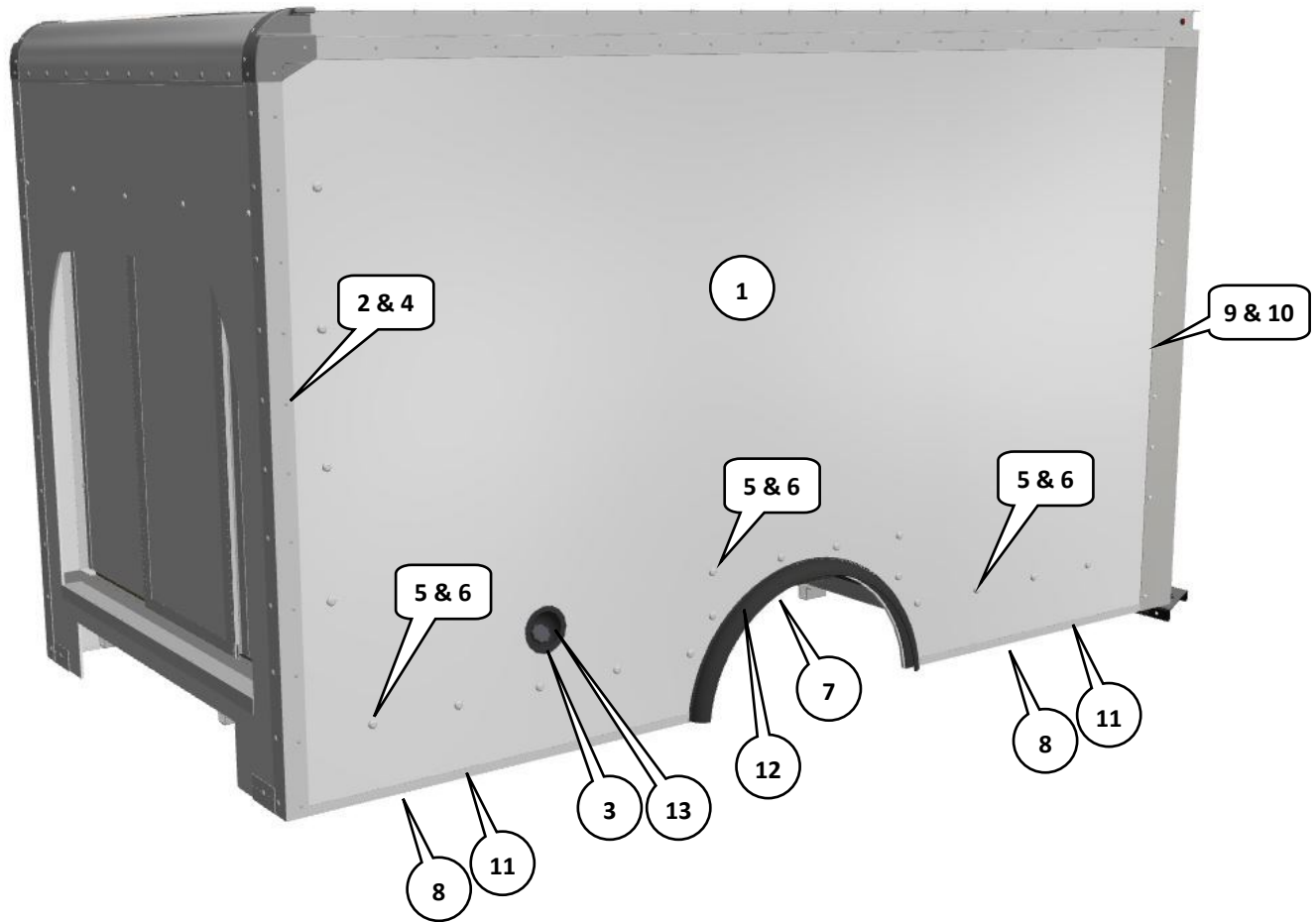
* PART WILL DIFFER DEPENDING ON WIDE BODY & NARROW BODY WIDTH , LENGTH OR HEIGHT

CARGOPORT FRP - CUTAWAY

78T x 80W



SIDEWALL PARTS & FASTENERS



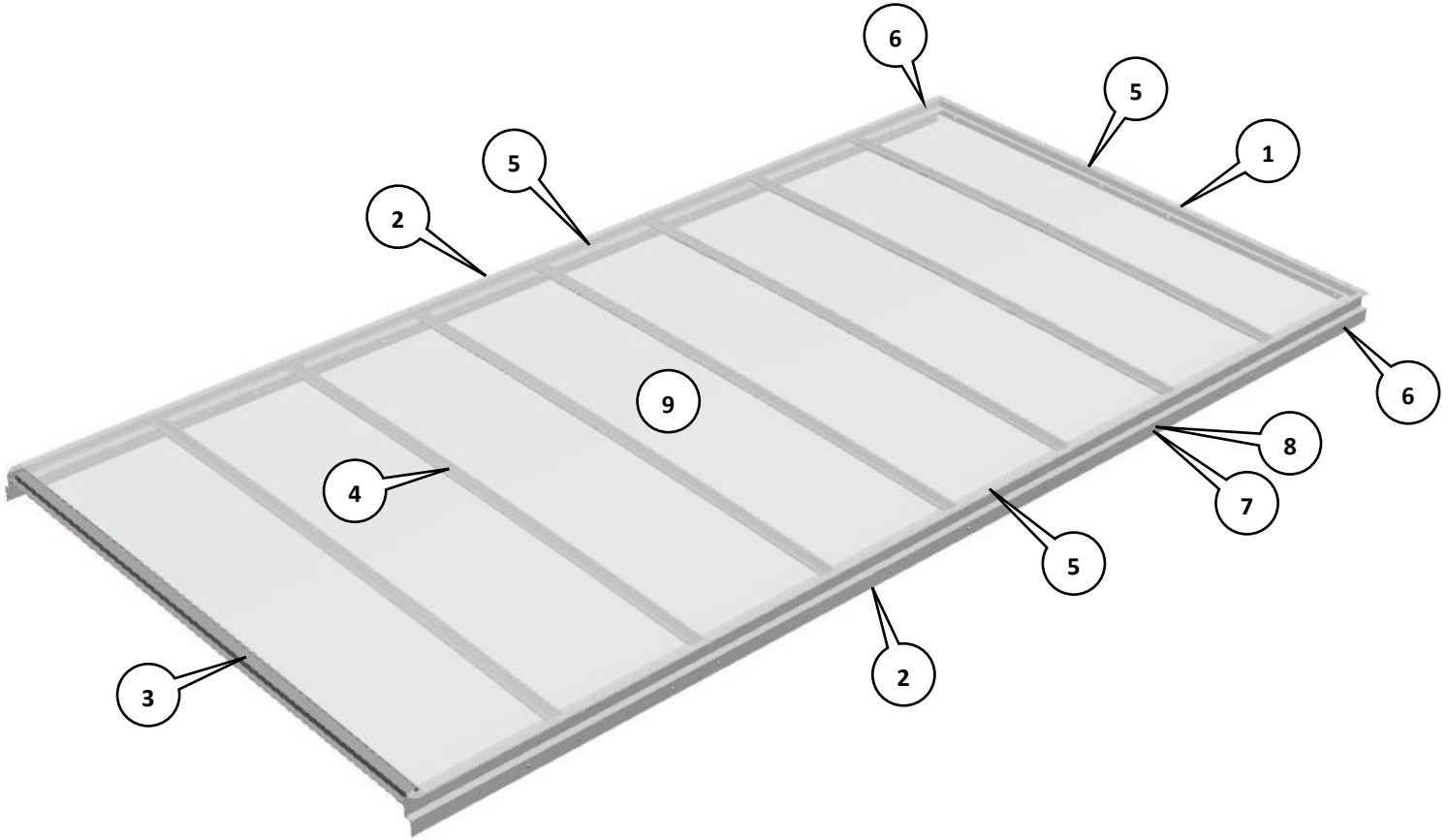
ITEM	DESCRIPTION	QTY	PART NUMBER
1	FRP SIDEWALL SHEET *	VIN SPECIFIC	VIN SPECIFIC
2	1/4 x 20 STEEL BASE TEE NUT ZINC	VIN SPECIFIC	F0200002
3	8-18 x 1 S/S T.410 PAN PHIL 2PT DRILL SCREW W/ BI-WAX	VIN SPECIFIC	F0200035
4	1/4-20 x 1/2 GR5 TORX FRP BOLT W/CAD SEAL	VIN SPECIFIC	F0200043
5	5/16 -18 x 1/2 STEEL ROUND WASHER 6-LOBE M/S ZINC W/ PRECOTE 80	VIN SPECIFIC	F0200046
6	5/16-18 x 1/2 WHITE ENCAPSULATED T-NUT W/ BARBS/RIDGES BARREL	VIN SPECIFIC	F0200047
7	#8 x 3/4 STEEL RECEX PAN HEAD T/A BLACK OXIDE	12 EA SIDE	F0200048
8	#8 x 3/4 STEEL MODIFIED TRUSS #2 POINT SELF DRILLING PHIL BLACK ZINC	VIN SPECIFIC	F0200076
9	1/4-20 x 1/2 TX6L T30 TRUSS WASH SHLDR MS LP PP ZINC	VIN SPECIFIC	F1000152
10	1/4-20 x 5/16 GR 5.1 RIBBED T-NUT ENCAPSULATED WHITE	VIN SPECIFIC	F1500183
11	SIDEWALL BOTTOM END CAP	4	7015 ALUMINUM EXTRUSION
12	WHEEL WELL RUBBER TRIM	1 EA SIDE	F100504900 GSX 178 BLK
13	FUEL FILL DISH	1	VIN SPECIFIC

* PART WILL DIFFER DEPENDING ON WIDE BODY & NARROW BODY WIDTH , LENGTH OR HEIGHT

CARGO PORT FRP - CUTAWAY

78T x 96W

ROOF PARTS



ITEM	DESCRIPTION	QTY	PART NUMBER
1	REAR ROOF CHANNEL *	1	7001 ALUMINUM EXTRUSION
2	SIDE ROOF RAIL	2	7005 ALUMINUM EXTRUSION
3	FRONT ROOF BOW *	1	VIN SPECIFIC
4	ANTI-SNAG ROOF BOW *	VIN SPECIFIC	VIN SPECIFIC
5	3/16 x 1/2 ALUMINUM BRAZIER RIVET (AROUND ROOF SHEET)	VIN SPECIFIC	F0200044
6	1/4-20 x 13/16 GR5 TORX FRP BOLT W/CAD SEAL	1 EACH SIDE @REAR	F0200008
7	1/4-20 x 1/2 GR5 TORX FRP BOLT W/CAD SEAL	VIN SPECIFIC	F0200043
8	1/4 x 20 STEEL BASE TEE NUT ZINC	VIN SPECIFIC	F0200002
9	ROOF SHEET - TRANSLUSCENT OR ALUMINUM *	1	VIN SPECIFIC

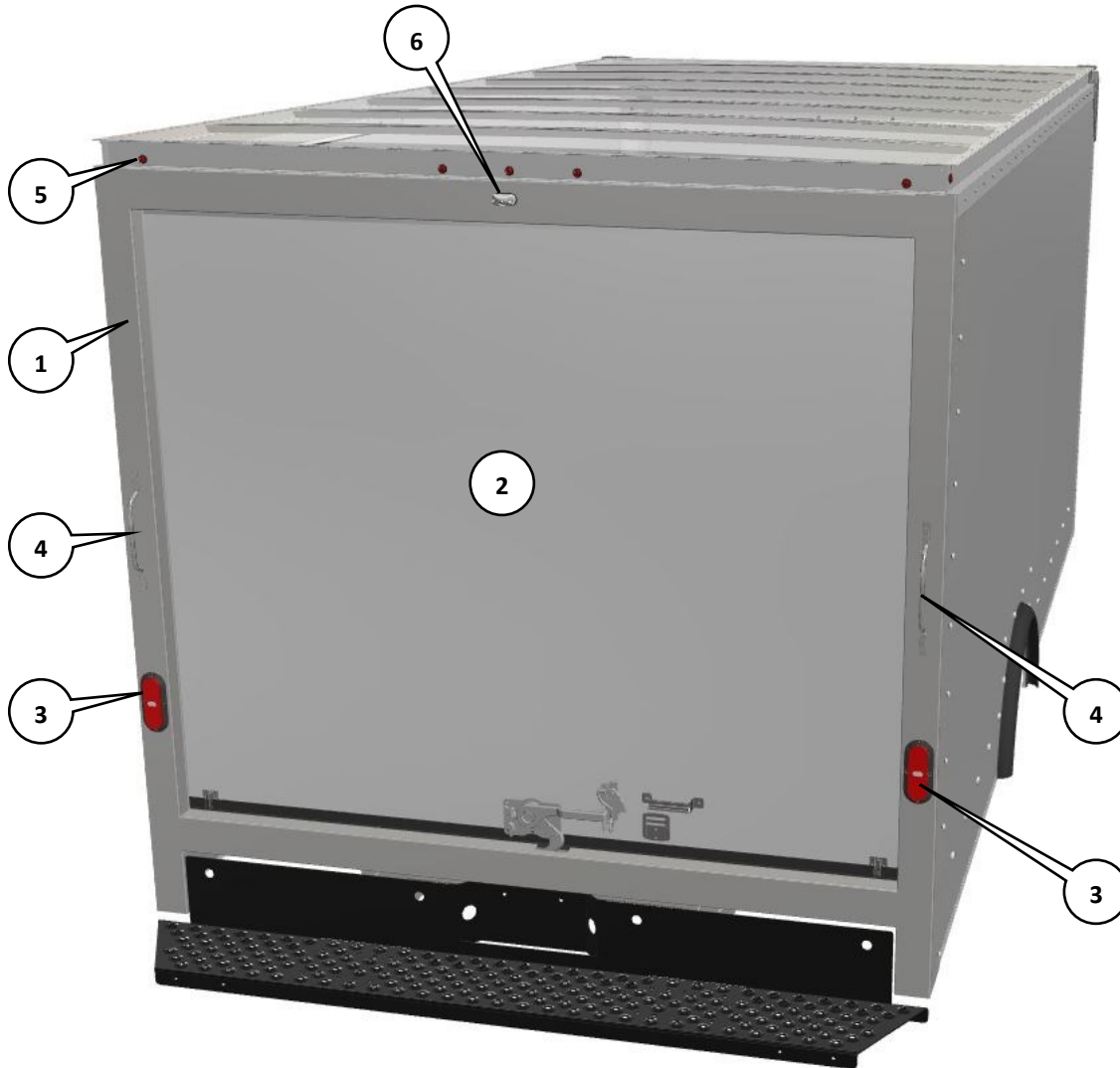
* PART WILL DIFFER DEPENDING ON WIDE BODY & NARROW BODY WIDTH , LENGTH OR HEIGHT

CARGOPORT FRP - CUTAWAY

78T x 96W



REAR PARTS



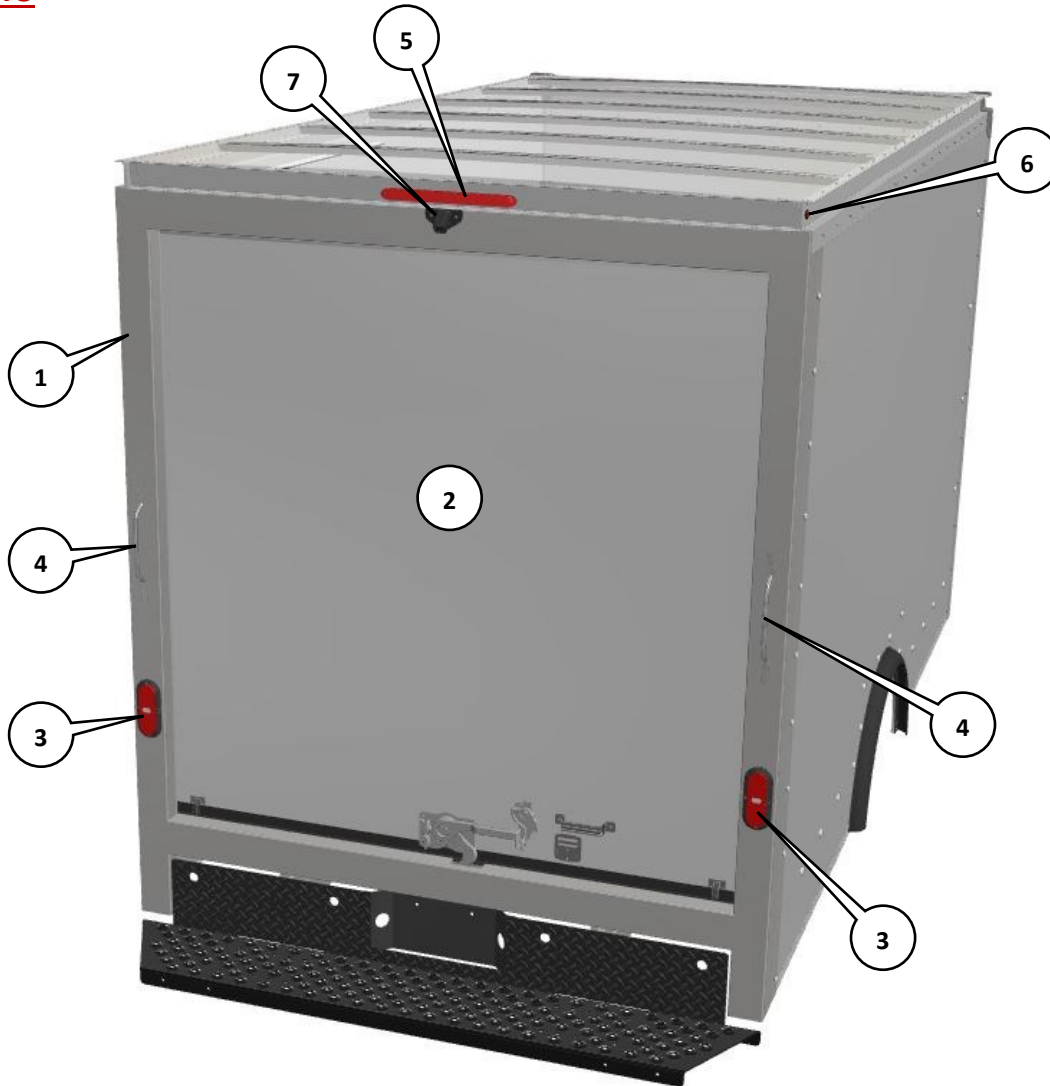
ITEM	DESCRIPTION	QTY	PART NUMBER
1	REAR STRUCTURE *	VIN SPECIFIC	VIN SPECIFIC
2	REAR ROLL-UP DOOR *	1	VIN SPECIFIC
3	STOP/TAIL/TURN LED	2	T70-RWSB-1
4	GRAB HANDLE	2	80202
5	RED CLEARANCE LIGHT & GROMMET	5	S37-RRS9V-1
6	REAR BACK UP CAMERA	1	VIN SPECIFIC

* PART WILL DIFFER DEPENDING ON WIDE BODY & NARROW BODY WIDTH , LENGTH OR HEIGHT

CARGOPORT FRP - CUTAWAY

78T x 80W

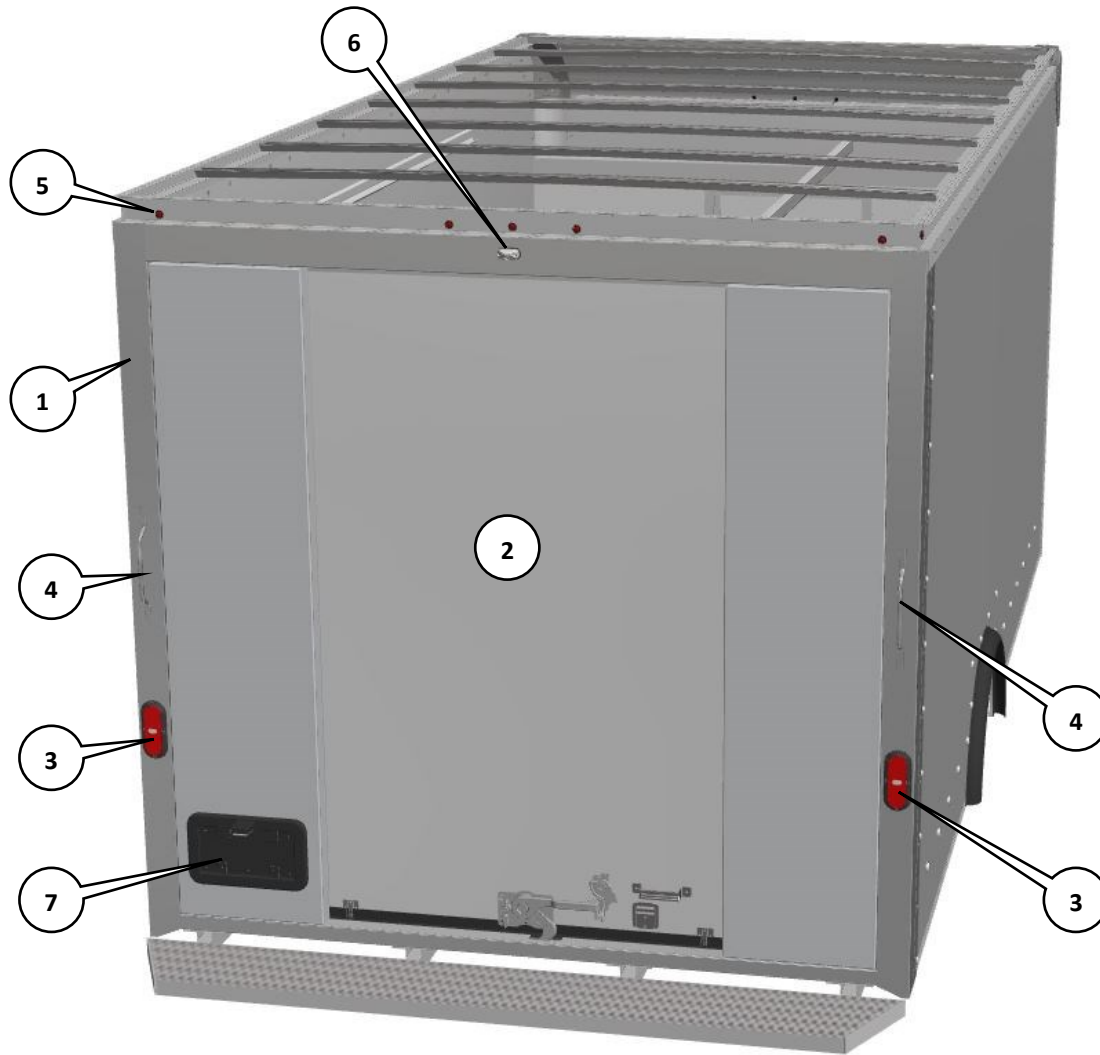
REAR PARTS



ITEM	DESCRIPTION	QTY	PART NUMBER
1	REAR STRUCTURE *	VIN SPECIFIC	VIN SPECIFIC
2	REAR ROLL-UP DOOR *	VIN SPECIFIC	VIN SPECIFIC
3	STOP/TAIL/TURN LED	2	T70-RWSB-1
4	GRAB HANDLE	2	80202
5	RED LOW PROFILE THIRD BRAKE LIGHT	1	T10-RR00-1
6	RED CLEARANCE LIGHT & GROMMET	2	S37-RRS9V-1
7	REAR BACK UP CAMERA	1	VIN SPECIFIC

* PART WILL DIFFER DEPENDING ON WIDE BODY & NARROW BODY WIDTH , LENGTH OR HEIGHT

REAR PARTS



ITEM	DESCRIPTION	QTY	PART NUMBER
1	REAR STRUCTURE *	VIN SPECIFIC	VIN SPECIFIC
2	REAR ROLL-UP DOOR *	VIN SPECIFIC	VIN SPECIFIC
3	STOP/TAIL/TURN LED	2	T70-RWSB-1
4	GRAB HANDLE	2	80202
5	RED CLEARANCE LIGHT & GROMMET	5	S37-RRS9V-1
6	REAR BACK UP CAMERA	1	VIN SPECIFIC
7	LICENSE PLATE HOLDER WITH LIGHT	1	003-71BM1

* PART WILL DIFFER DEPENDING ON WIDE BODY & NARROW BODY WIDTH , LENGTH OR HEIGHT