

Parcelport

by Rockport Commercial Vehicles



888-711-1600 • www.rockporttrucks.com

STANDARD FEATURES



Parcelport

SIDEWALLS:

3/8" FRP one-piece sidewalls extended below floor line as an integrated body skirting

REAR FRAME:

12 gauge steel rear structure with 2 rear grab handles

REAR DOOR:

Composite roll up rear door with two point side latches. 50" wide and 81.5" high clear opening

ROOF ASSEMBLY:

One-piece translucent material with galvanized roof bows located at 24" on center.

LIGHTING:

LED cargo dome light with 3-way switches located at rear of body and in cab with cab indicator light (Cutaway Chassis Only). LED Stop-Tail-Turn lights.

FRAME AND FLOOR:

3 1/2" formed steel cross members on 24" centers and 1 1/8" tongue and groove plywood with rubberized non-slip coin flooring overlay and E-coated steel wheel wells.

REAR BUMPER:

Aluminum grip strut step surface.

FRONT-END ASSEMBLY:

"Rocktop" air fairing with roof cutout and full height access door.

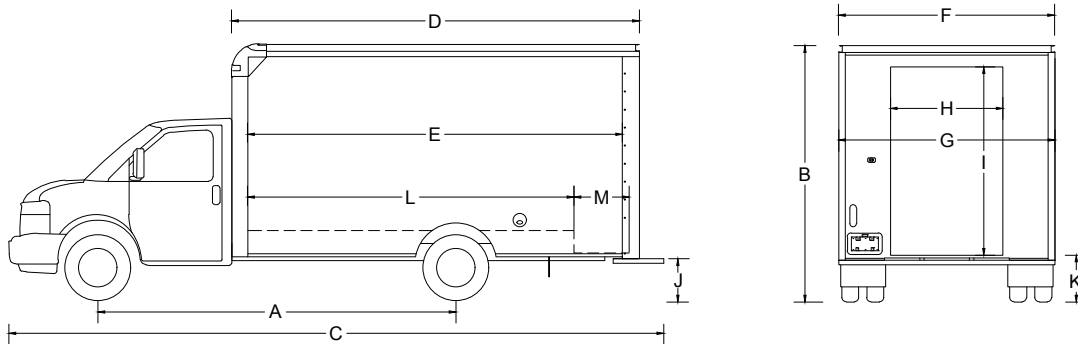
INTERIOR FLOOR LENGTH:

Even with the standard set back bulkhead for increased driver comfort, the cargo length at the floor is true to the stated length of the body; drop floor is 26" deep.

WARRANTY:

3 year, 36,000 mile limited warranty and 5 year, 50,000 mile structural warranty from date of sale.

Visit www.Rockporttrucks.com for detailed product options.



14-FT - 159 W/B

Body Size	12' SRW	14' DRW	16' DRW
Interior Height	6' 6"	6' 6"	6' 6"
(A) Wheel Base	139"	159"	177"
(B) Body Height	111"	111"	111"
(C) Truck Length	21' 6.5"	23' 6.5"	25' 6.5"
(D) Overall Body Length	13'	15'	17'
(E) True Body Length	12'	14'	16'
(F) Body Width	80"	96"	96"
(G) Load Width	78"	94.25"	94.25"
(H) Door Opening Width	50"	50"	50"
(I) Door Opening Height	81.5"	81.5"	81.5"
(J) Ground to Bumper	18.5"	18.5"	18.5"
(K) Ground to Floor	21.5"	21.5"	21.5"
(L) Main Floor	10'	12'	14'
(M) Drop Floor	2' 2"	2' 2"	2' 2"

*Body dimensions are subject to Chassis manufacture restrictions

Parcelport



DROP SHIP CODES:

Indiana- 187082
Georgia- 290236

Rockport Commercial Vehicle Division

2323 Middlebury St.
Elkhart, IN 46516

202 Industrial Drive
Ocilla, GA 31774

Toll Free: 888-711-1600

Fax: 574-295-3974

www.rockporttrucks.com



Learn More
Scan this barcode using a QR Reader on your smart phone to learn more about Forest River.



A Berkshire Hathaway company.

All illustrations and specifications contained in this literature are based on the latest product information at time of publication. Forest River reserves the right to make changes in prices, colors, materials, equipment and specifications anytime, without notice, and assumes no responsibility for any error in this literature. All units are shipped F.O.B. point of manufacture. CONSULT YOUR LOCAL DEALER FOR WARRANTY INFORMATION.