

Cargoport

by Rockport Commercial Vehicles



888-711-1600 • www.rockporttrucks.com

STANDARD FEATURES



Cargoport

SIDEWALLS:

3/8" FRP one-piece sidewalls extended below floor line as an integrated body skirting

REAR FRAME:

E-coated 12 gauge steel rear structure with threshold drain holes and 2 rear grab handles

REAR DOOR:

Full width composite roll up door with magnicoated fasteners and upgraded exterior coating.

ROOF ASSEMBLY:

One-piece translucent material with galvanized roof bows located at 24" on center.

LIGHTING:

LED cargo dome light with 3-way switches located at rear of body and in cab with cab indicator light (Cutaway Chassis Only). LED Stop-Tail-Turn lights.

FRAME AND FLOOR:

3 1/2" formed steel cross members and 1 1/8" tongue and groove plywood with E-coated steel wheel wells.

REAR BUMPER:

E-coated steel step surface.

FRONT-END ASSEMBLY:

Aerodynamic aluminum top and side radius with impact resistant top corners.

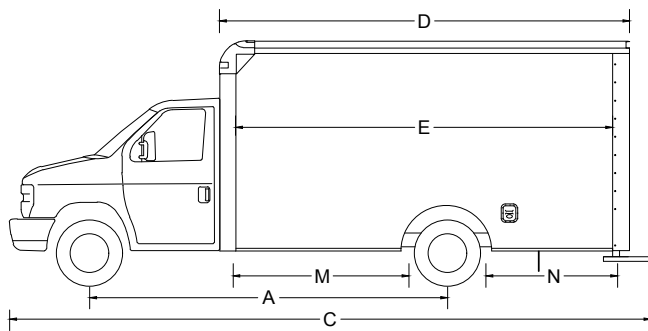
INTERIOR FLOOR LENGTH:

Even with the standard set back bulkhead for increased driver comfort, the cargo length at the floor is true to the stated length of the body. A sliding bulkhead door is standard as well.

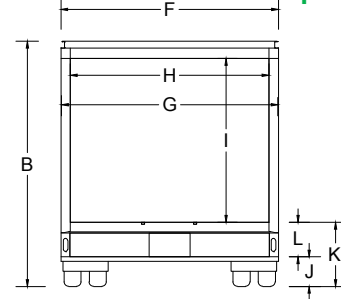
WARRANTY:

3 year, 36,000 mile limited warranty and 5 year, 50,000 mile structural warranty from date of sale.

Visit www.Rockporttrucks.com for detailed product options.



14-FT - 158 W/B



Body Size	10' SRW	12' SRW	10' DRW	12' DRW	14' DRW	16' DRW	18' DRW
Interior Height	6' 6"	6' 6"	6' 6"	6' 6"	6' 6"	6' 6"	6' 6"
(A) Wheel Base	138"	138"	138"	138" OR 158"	158"	176"	190"
(B) Body Height	111"	111"	111"	111"	111"	111"	111"
(C) Truck Length	19' 6.5"	21' 6.5"	19' 6.5"	21' 6.5"	23' 6.5"	25' 6.5"	27' 6.5"
(D) Overall Body Length	11'	13'	11'	13'	15'	17'	19'
(E) True Body Length	10'	12'	10'	12'	14'	16'	18'
(F) Body Width	80"	80"	96"	96"	96"	96"	96"
(G) Load Width	78"	78"	94.25"	94.25"	94.25"	94.25"	94.25"
(H) Door Opening Width	71"	71"	87.25"	87.25"	87.25"	87.25"	87.25"
(I) Door Opening Height	72.5"	72.5"	72.5"	72.5"	72.5"	72.5"	72.5"
(J) Ground to Bumper	18.75"	18.75"	18.75"	18.75"	18.75"	18.75"	18.75"
(K) Ground to Floor	32.25"	32.25"	32.25"	32.25"	32.25"	32.25"	32.25"
(L) Bumper to Floor	13.5"	13.5"	13.5"	13.5"	13.5"	13.5"	13.5"
(M) Front Useable Space	56"	56"	56"	56"/78"	76"	95"	109"
(N) Rear Useable Space	30"	55"	30"	55"/33"	60"	65"	75"

*Body dimensions are subject to Chassis manufacture restrictions

Cargoport



DROP SHIP CODES:

Indiana- 86-O152
Georgia- 86-O153

Rockport Commercial Vehicle Division

2323 Middlebury St.
Elkhart, IN 46516

202 Industrial Drive
Ocilla, GA 31774

Toll Free: 888-711-1600

Fax: 574-295-3974

www.rockporttrucks.com



Learn More

Scan this barcode using a QR Reader on your smart phone to learn more about Forest River.



A Berkshire Hathaway company.

All illustrations and specifications contained in this literature are based on the latest product information at time of publication. Forest River reserves the right to make changes in prices, colors, materials, equipment and specifications anytime, without notice, and assumes no responsibility for any error in this literature. All units are shipped F.O.B. point of manufacture. CONSULT YOUR LOCAL DEALER FOR WARRANTY INFORMATION.